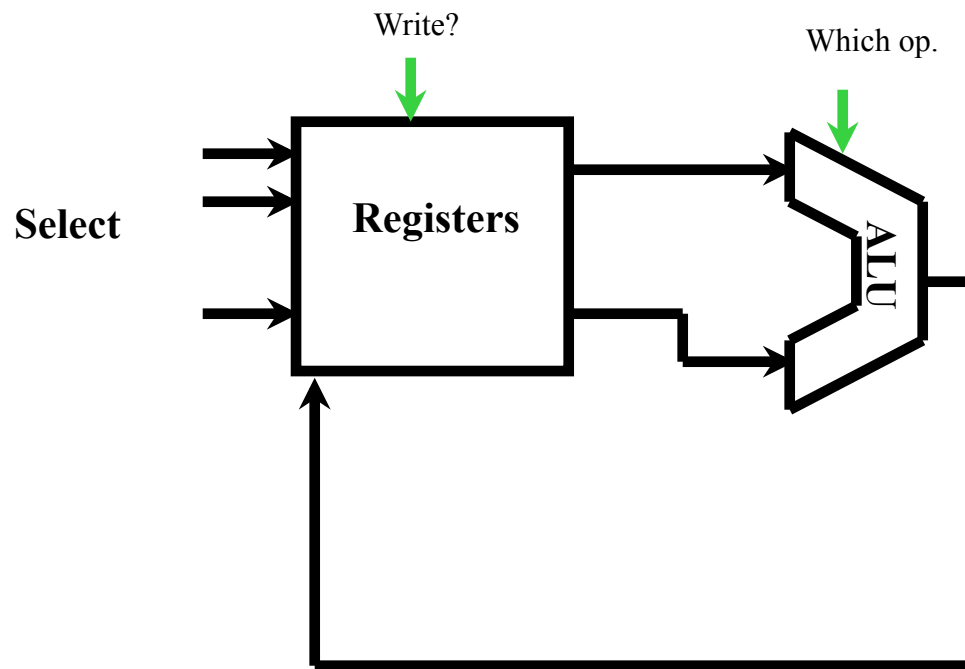
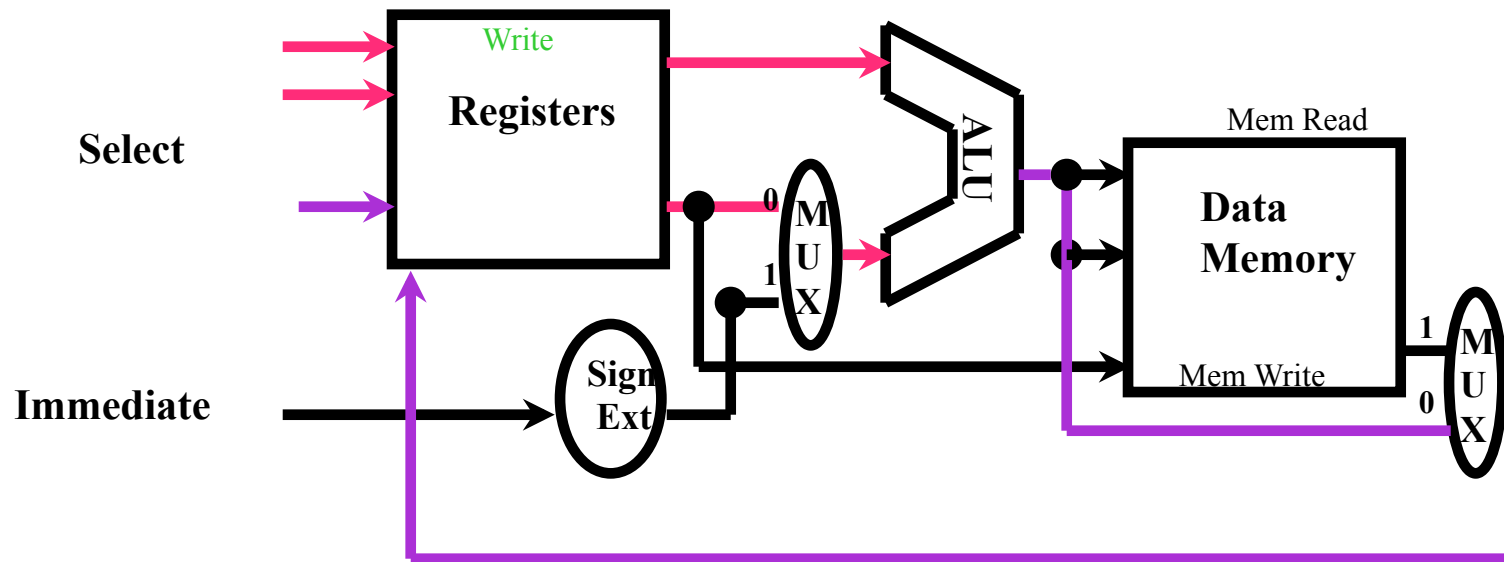


One Step Back



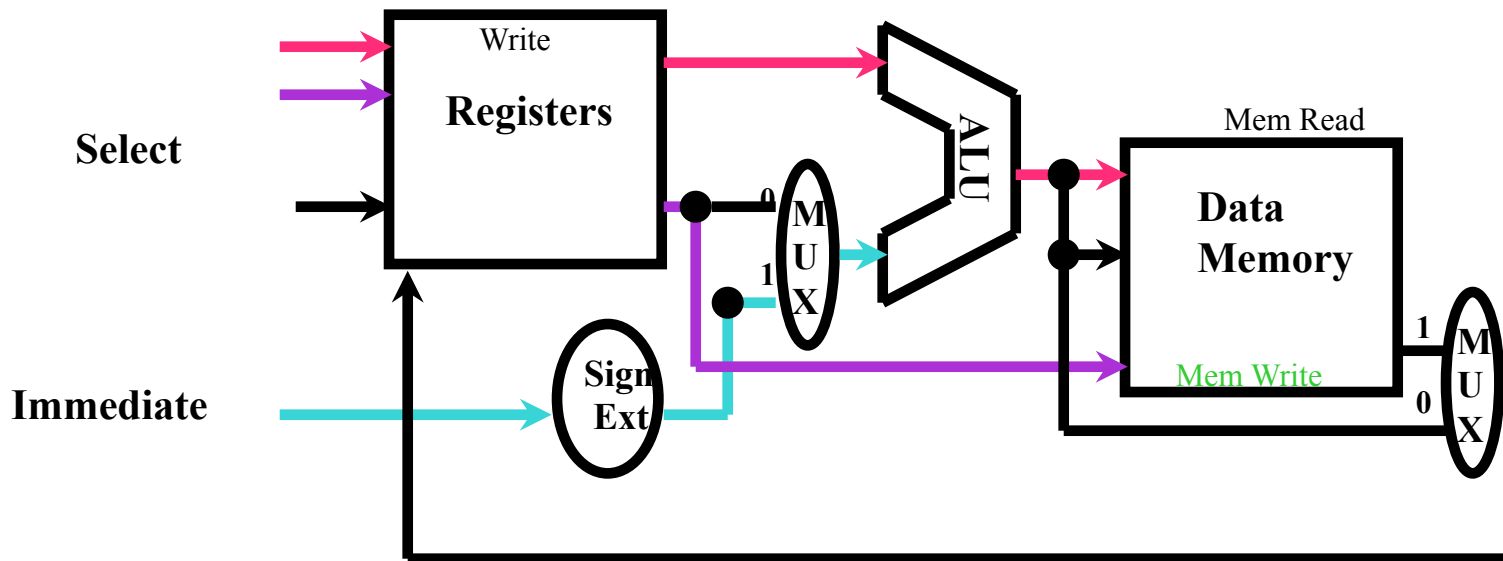
R-Type Instruction Path

e.g., `add $t0, $t1, $t2`



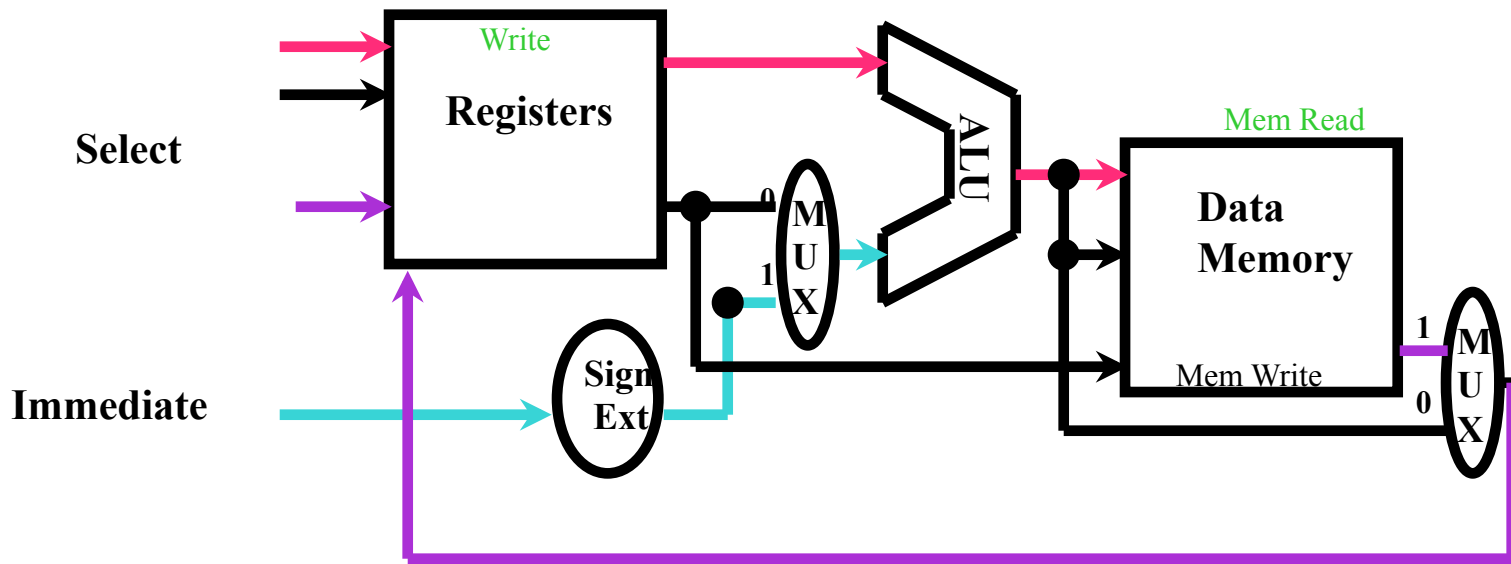
R-Type Instruction Path (in a larger context)

e.g., `add $t0, $t1, $t2`



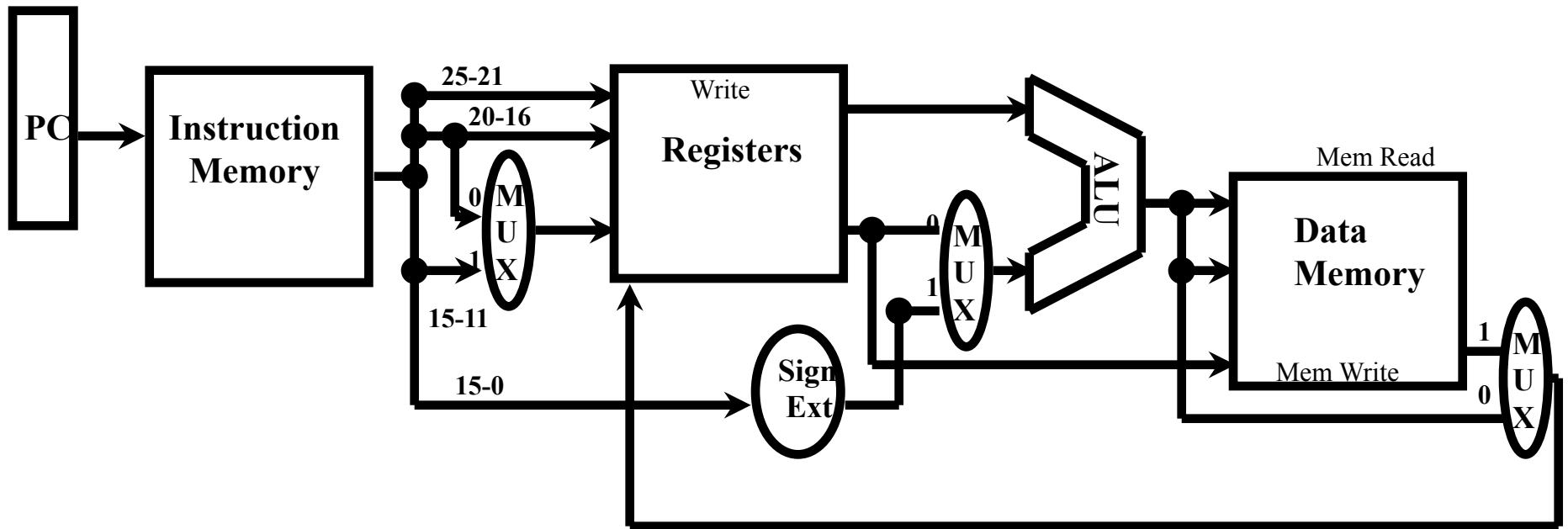
Load/Store Instruction Path

e.g., `sw $t0, 100($s0)`



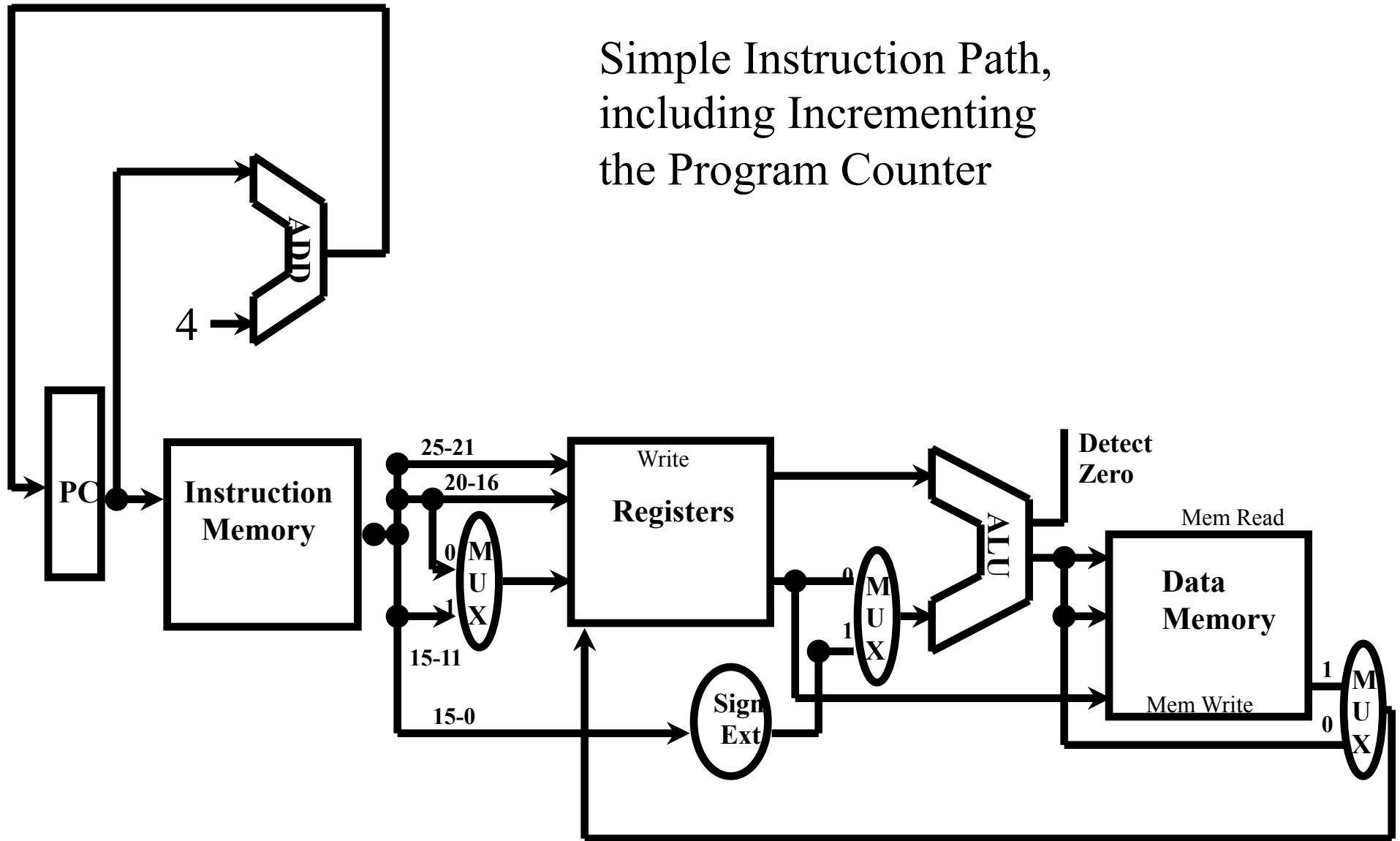
Load/Store Instruction Path

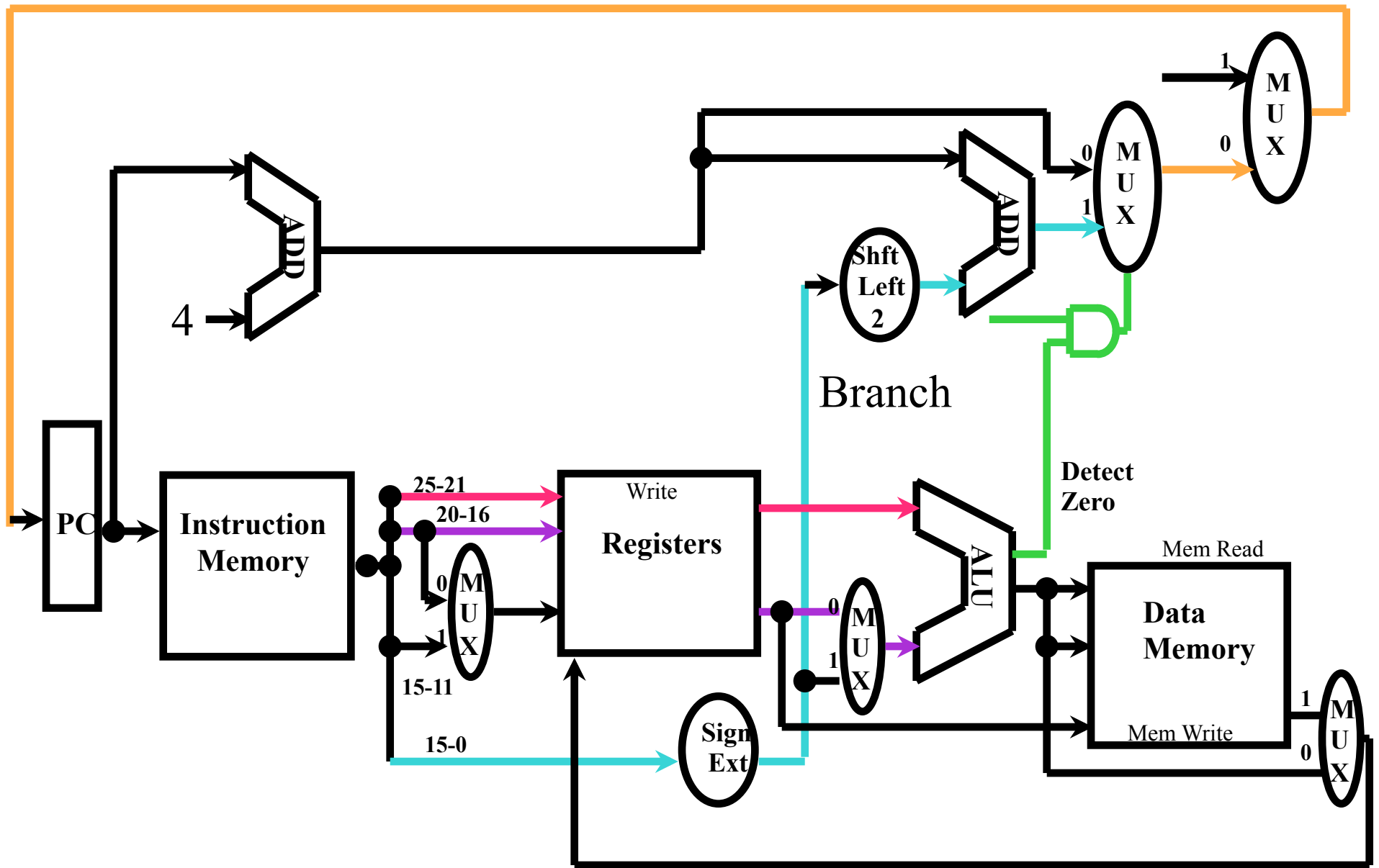
e.g., lw \$t0, 100(\$s0)



Instruction Path with Instruction from Memory

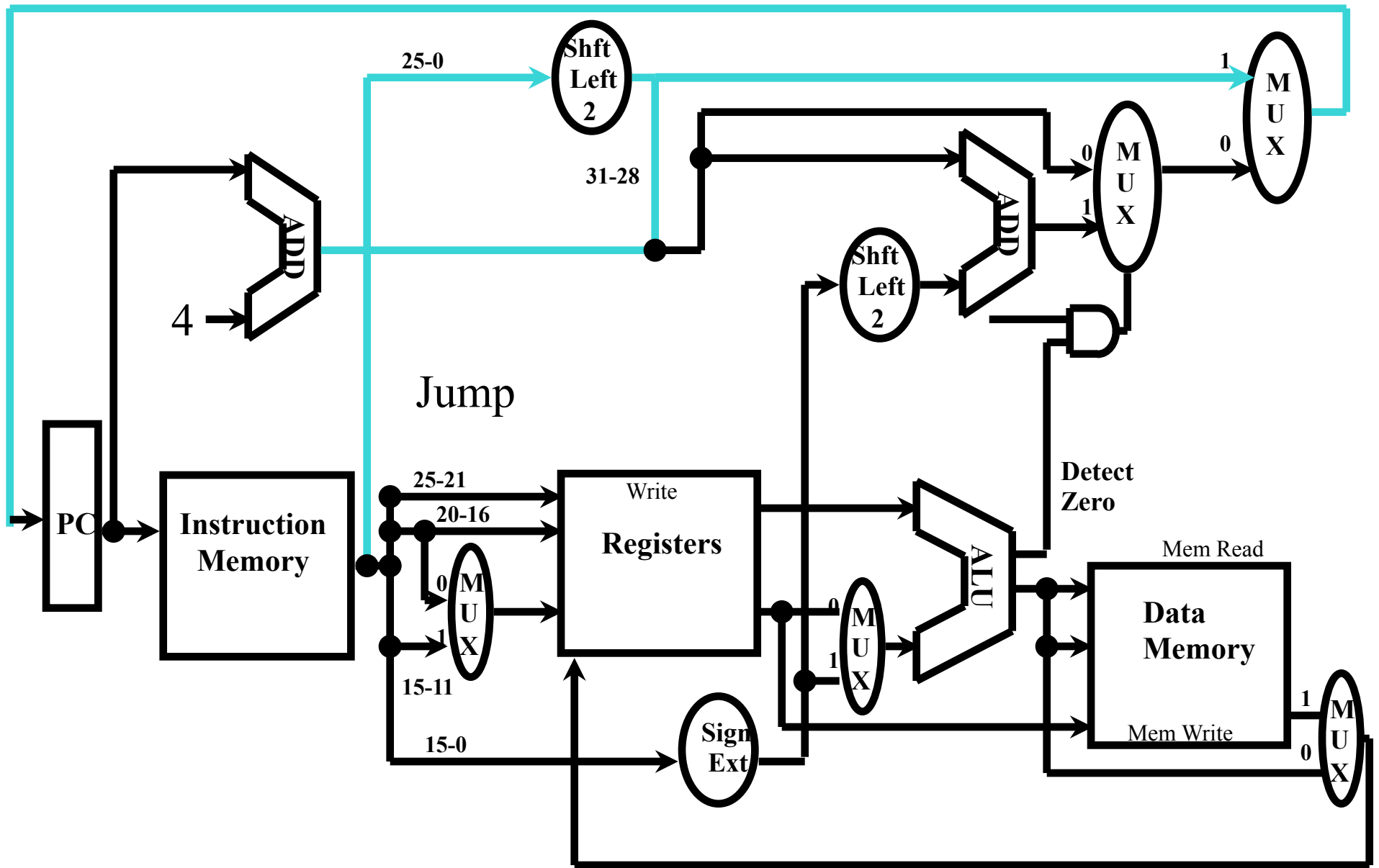
Simple Instruction Path,
including Incrementing
the Program Counter





Branch Instruction Path

e.g., beq \$s0, \$zero, addr



Jump Instruction Path

e.g., `j addr`

