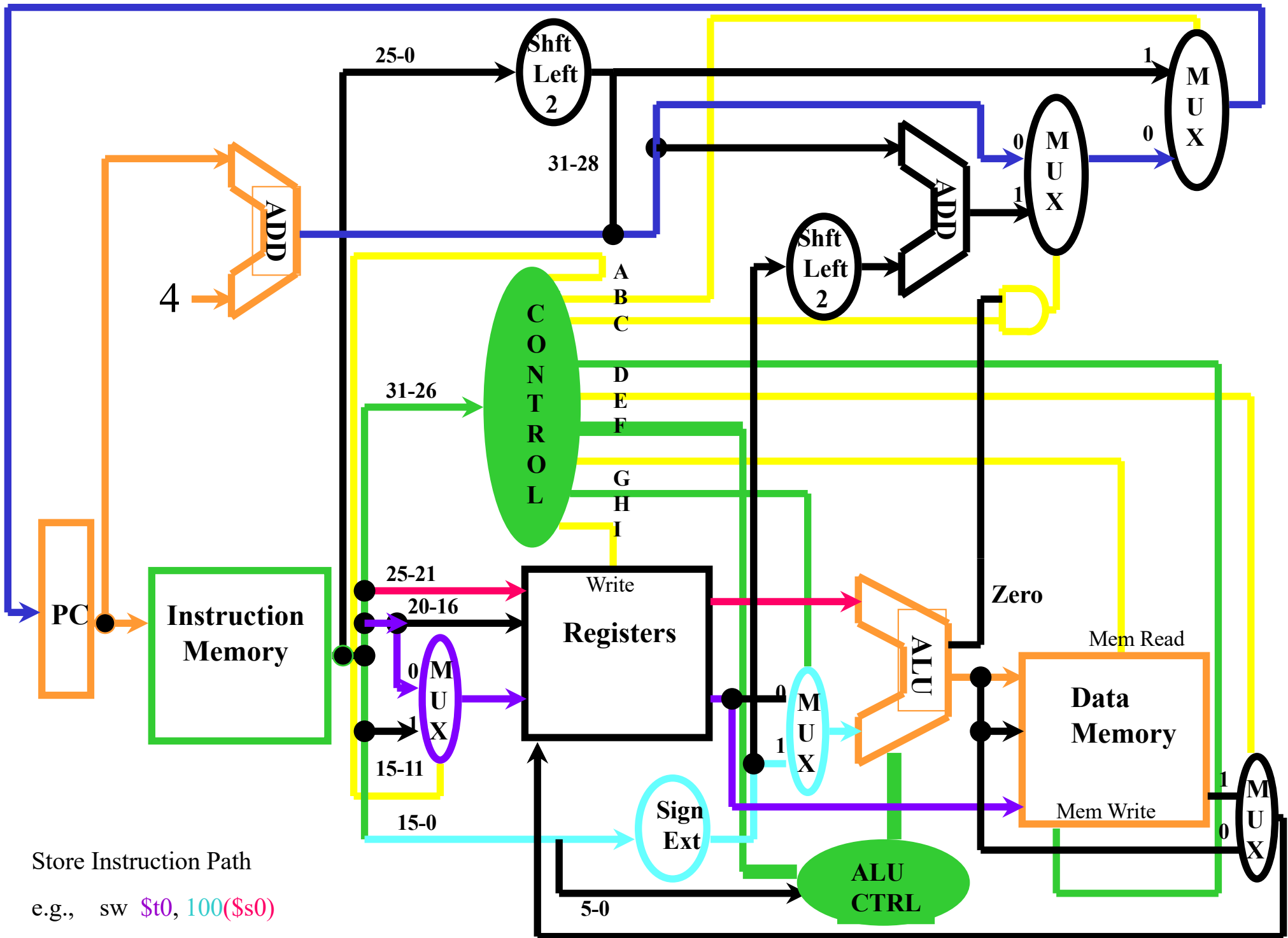
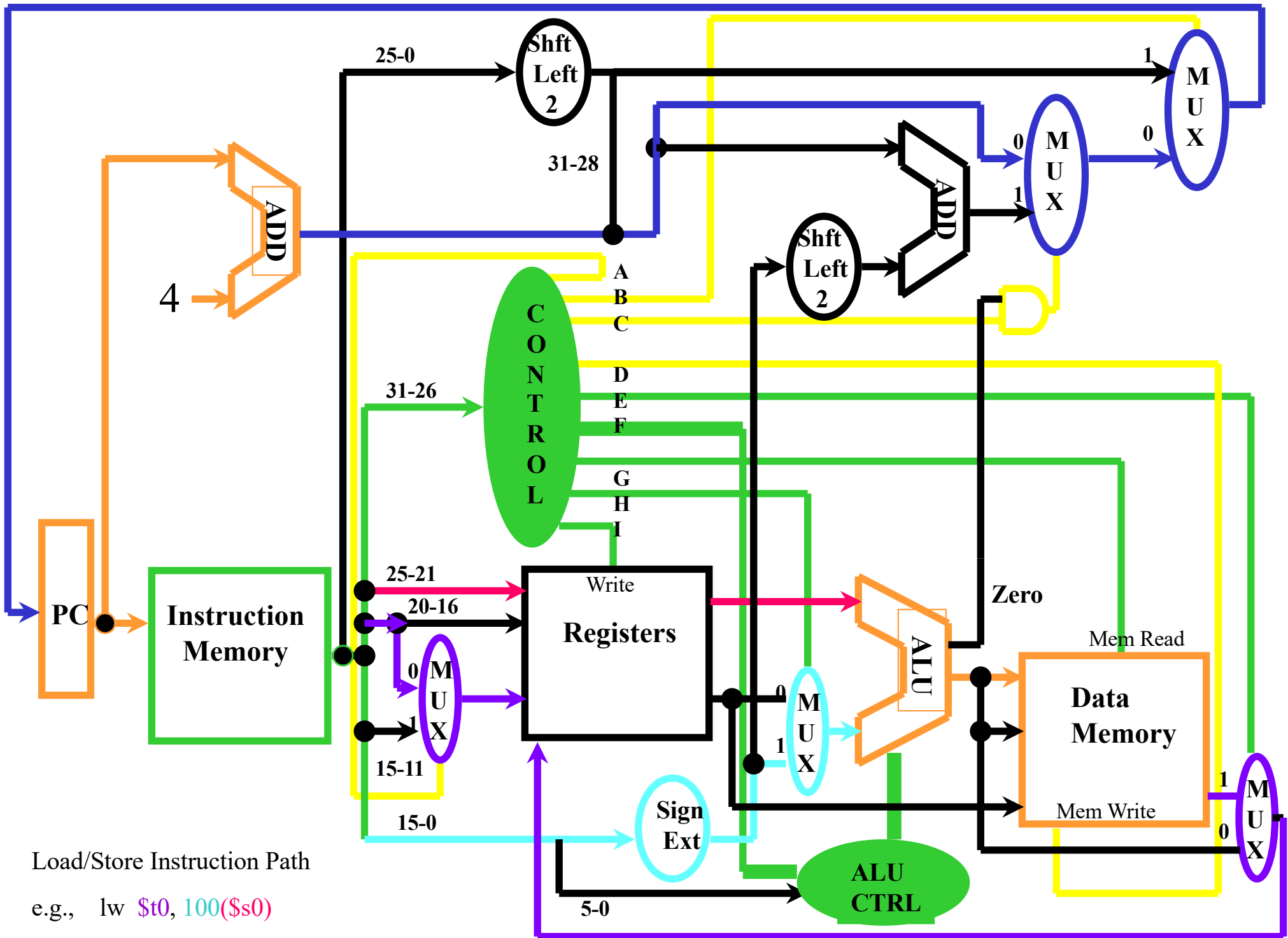


R-Type Instruction Path

e.g., add \$t0, \$t1, \$t2

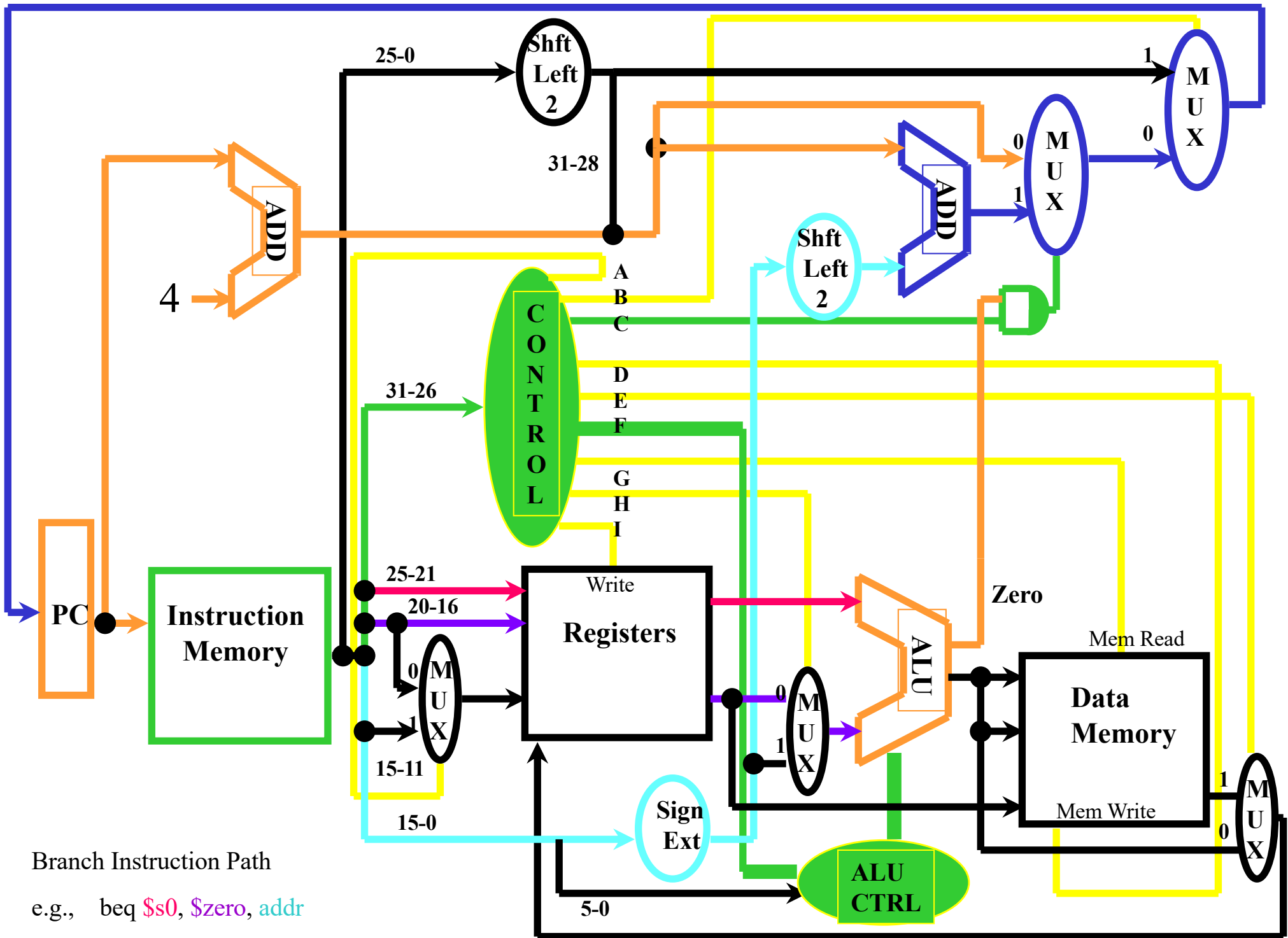


Store Instruction Path
 e.g., `sw $t0, 100($s0)`



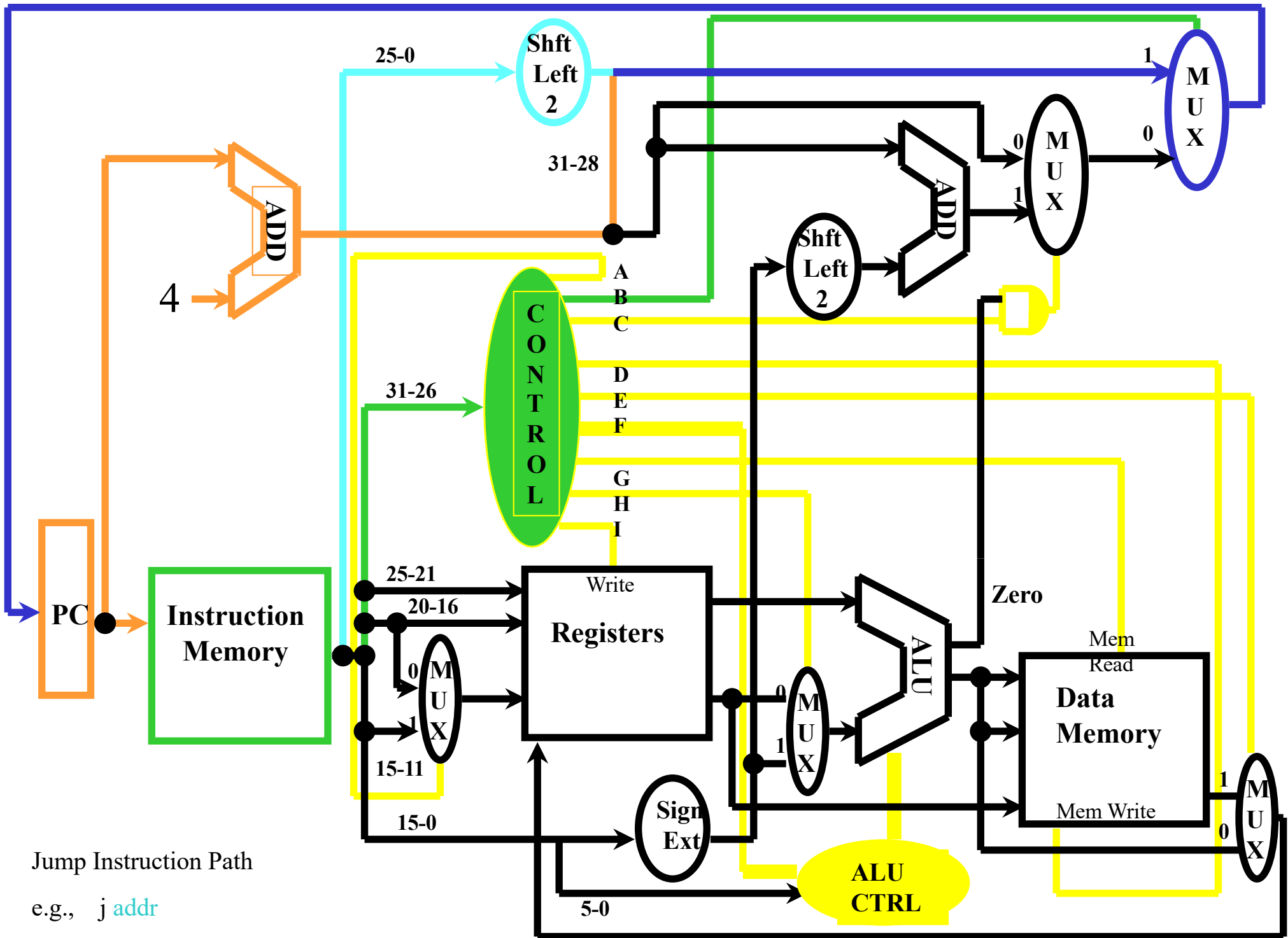
Load/Store Instruction Path

e.g., `lw $t0, 100($s0)`



Branch Instruction Path

e.g., `beq $s0, $zero, addr`



Jump Instruction Path

e.g., `j addr`